

**MODEL 305**

# ***Token Controller***

The EPS Token Controller is a high quality economical access control device. The controller accepts only tokens and will reject coins. To combine monthly (contract parking) with token operation, a card reader can be added, either at the factory or in the field.

## **Technical Data:**

### Housing

- Weather-resistant, heavy 14-gauge steel construction
- Hinged front door with key lock
- Mounts on pedestal for easy operation
- Powder coat finish (White or Beige)

### Token Mechanism

- Single token acceptance (.900 or .984 diameter. Specify token size when ordering)
- No power required
- Available with optional 12 VDC lock-out coil

### Dimensions

- Housing is 14-1/4" High X 9-1/2" Wide X 9" Deep
- Overall height on pedestal is 43"



## **ENGINEERED PARKING SYSTEMS**

25010 AVENUE TIBBITTS, VALENCIA, CA 91355  
PHONE (661) 294-0778 (800) EPSINFO (377-4636) FAX (661) 294-0674  
[www.epsinfo.com](http://www.epsinfo.com)

# TOKEN STATION: MODEL 305

## A. HOUSING

The housing shall be weather-resistant and constructed of heavy gauge steel, not less than 14 gauge. All seams and joints shall be electric bead welds. No spot welds shall be acceptable for the housing construction.

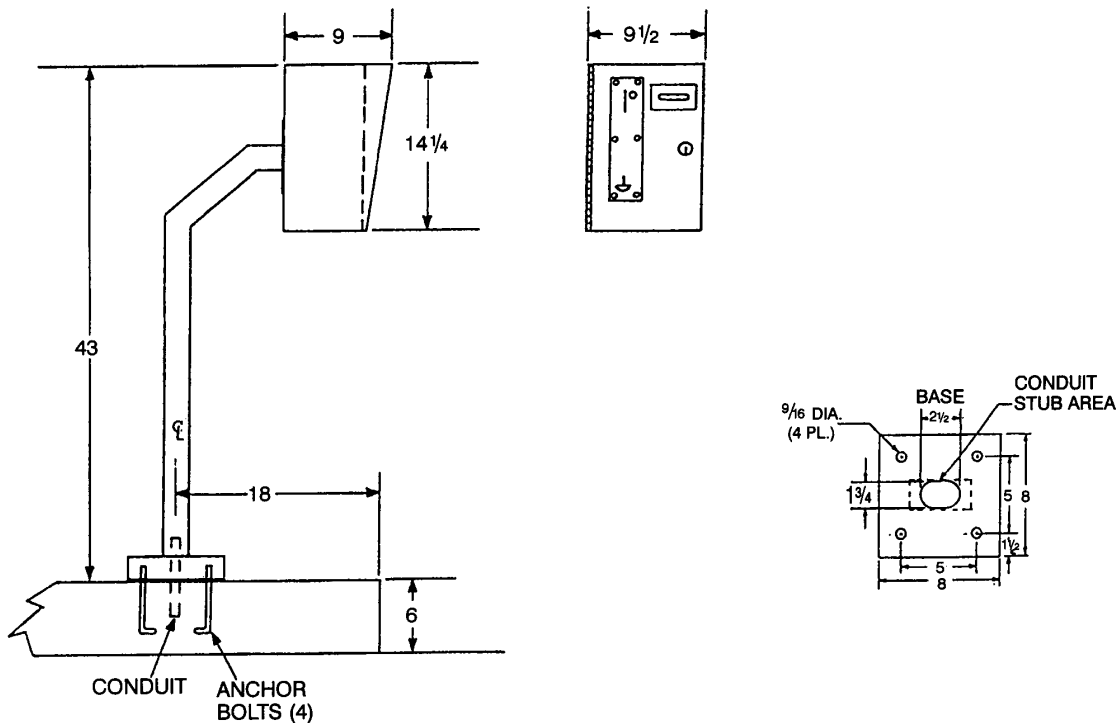
The housing shall be finished with powder coat paint in either white or beige to ensure lasting beauty and protection.

The token slot shall be within easy reach of the automobile driver and shall be protected by an extended hood. A push button release shall be furnished for bent tokens.

A weather-resistant access door shall be provided with a key lock to service the token receptacle area.

## B. TOKENS

The acceptor shall accept .900 or .984 diameter brass tokens. (Please specify token size when ordering).



## ENGINEERED PARKING SYSTEMS

25010 AVENUE TIBBITTS, VALENCIA, CA 91355  
PHONE (661) 294-0778 (800) EPSINFO (377-4636) FAX (661) 294-0674  
[www.epsinfo.com](http://www.epsinfo.com)