

**MODEL 305
TOKEN STATION**

**INSTALLATION & PARTS
MANUAL**



**ENGINEERED PARKING SYSTEMS
25010 AVENUE TIBBITTS
VALENCIA, CA 91355
(661) 294-0778
(800) 377-4636**

GENERAL INFORMATION

WARRANTY:

All equipment manufactured by Engineered Parking Systems is warranted against defects in material and workmanship for one full year from date of shipment. All equipment is tested and inspected before shipment. The warranty covers repair or replacement of any part which fails under normal usage. Transportation and labor charges are to be paid by the customer.

HOUSING:

The token station is constructed of fourteen gauge steel. It is of welded construction with a hinged access door. The door is fitted with a mounted key lock. Two keys are provided. The housing is finished with two coats of industrial baked enamel.

TOKEN MECHANISM:

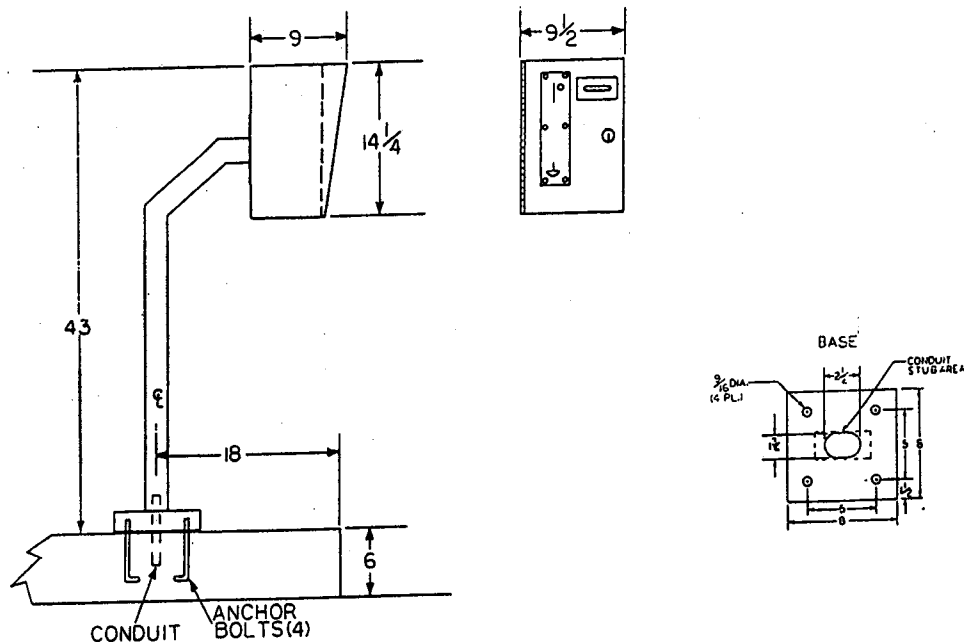
The token station comes standard with a 7/8" (.900) or 1" (.984) token acceptor. Other sizes are available.

ELECTRICAL:

The token station does not require electricity to operate. The token reject button is supplied with a back light that requires a 14 volt power source to illuminate.

INSTALLATION INSTRUCTIONS

The unit should be installed on a concrete foundation not more than 6" above the driveway. (See installation drawing) Mount pedestal to concrete foundation with four anchor bolts. MAKE SURE TOKEN STATION IS LEVEL.



CONNECTIONS

Connect common and normally open terminals from token vend switch to terminals 7 and 10 in model 301 barrier gate. For other brands of gates, connect common and normally open terminals from token vend switch to gate open input in gate operator.

PARTS LIST
MODEL 305 TOKEN STATION

<u>QUANTITY</u>	<u>PART NUMBER</u>	<u>DESCRIPTION</u>
1	205-3 *	.900 TOKEN ACCEPTOR
1	205-4 *	.984 TOKEN ACCEPTOR
1	205-9	.900 ACCEPTOR W/ FRONT PLATE
1	205-10	.984 ACCEPTOR W/ FRONT PLATE
1	492-41 (42-7087-00)	VEND SWITCH AND WIRE ASSY.
1	306-6	36" PEDESTAL (MOUNTING POST)
1	806-1	CAM LOCK
1	1051-40	DECAL, "TOKENS ONLY"
1	9050-1	STEEL HOUSING
1	9050-2	DOOR
1	9050-3	TOKEN BOX

