

MODEL 306-4



Card Reader Pedestals



These pedestals are typically used to install card readers or intercoms at drive-up and pedestrian access points. Made of 2" X 4" rectangular steel tubing with an 8" X 8" base plate. A steel base plate cover is provided to conceal the mounting hardware. Housings and adapters are available for these pedestals to accommodate most access control devices such as card readers and intercoms.

HEIGHT TO CENTER OF MOUNTING PLATE: 36"

ARM EXTENSION: 11"

MATERIAL: 2" x 4" Rectangular steel tubing

FINISH: White or Beige Powder Coat

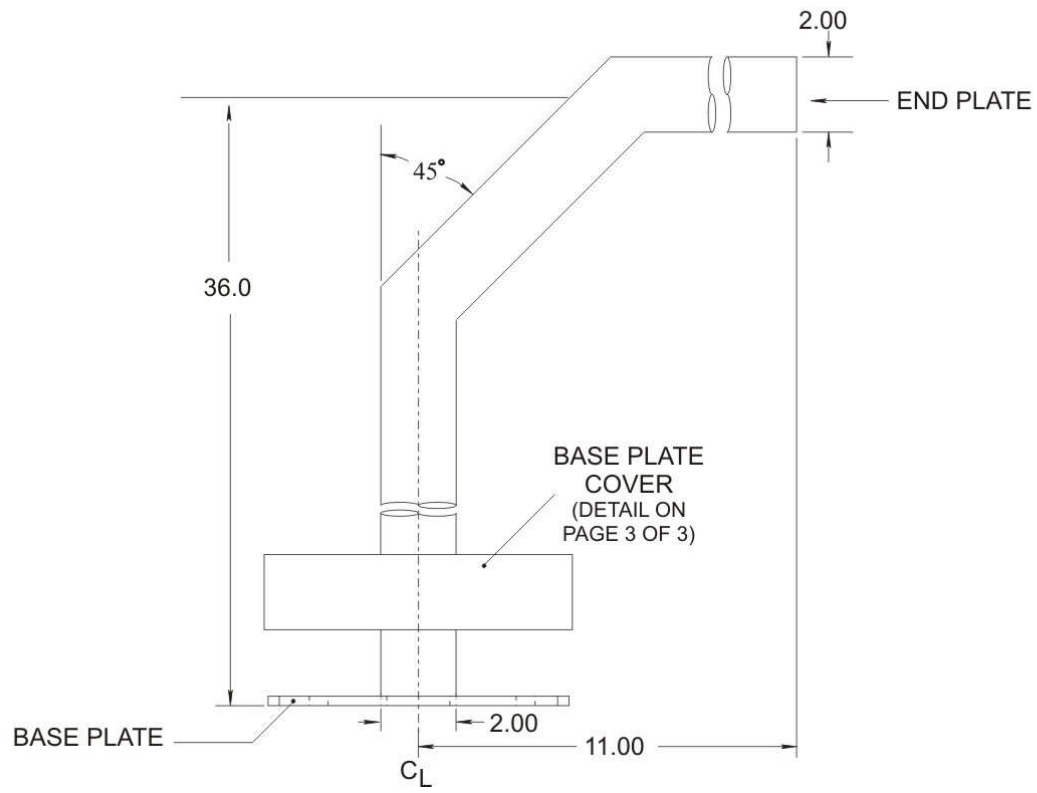
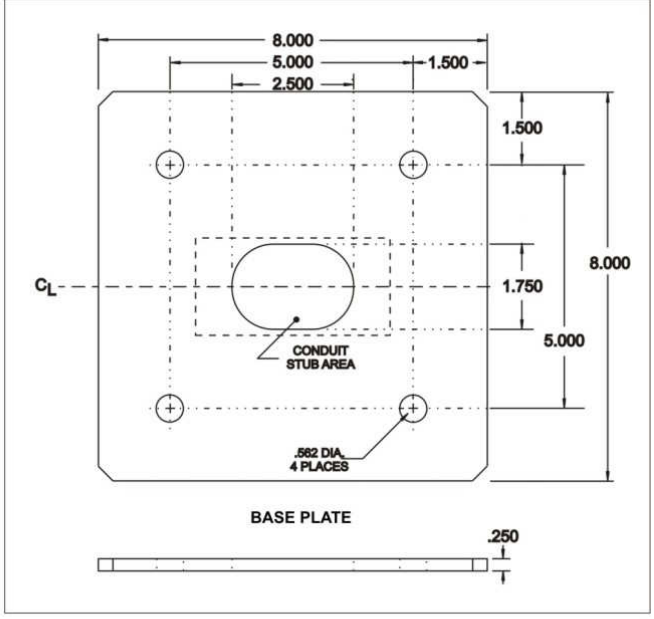
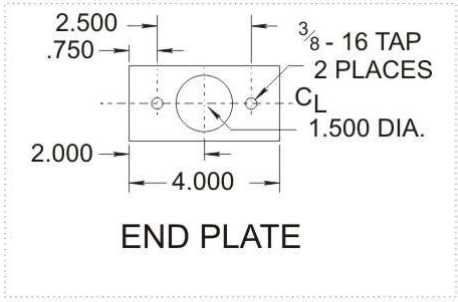


ENGINEERED PARKING SYSTEMS

25010 AVENUE TIBBITTS, VALENCIA, CA 91355

PHONE (661) 294-0778 (800) EPSINFO (377-4636) FAX (661) 294-0674

www.epsinfo.com



MODEL 306-4 PEDESTAL GENERAL DIMENSIONS



ENGINEERED PARKING SYSTEMS
 25010 AVENUE TIBBITTS, VALENCIA, CA 91355
 PHONE (661) 294-0778 (800) EPSINFO (377-4636) FAX (661) 294-0674
 www.epsinfo.com