

MODEL 9050-1-1



## ***Housings & Pedestals***

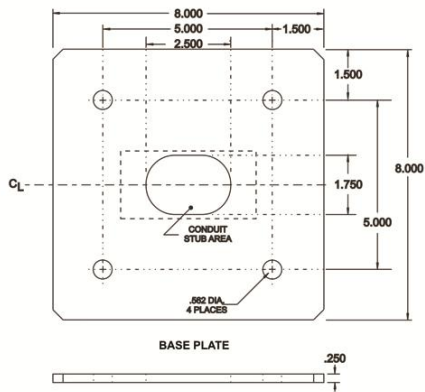
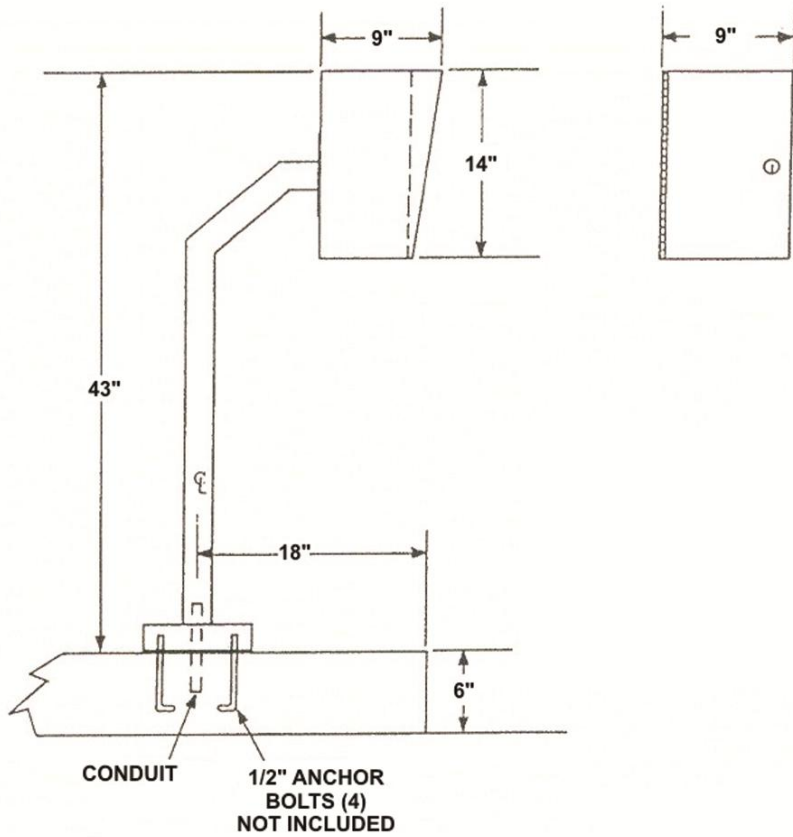


These housings and pedestals are used for the installation of card readers, intercoms and other devices at vehicular and pedestrian access points. Hinged door with cam lock provides both security and ease of access. Standard finish is either white, beige or black powder coat. Model 9050-1-1 includes Model 306-6, 36" tall pedestal and 9050-1BD, 14" H X 9" W housing.



### **ENGINEERED PARKING SYSTEMS**

25010 AVENUE TIBBITTS, VALENCIA, CA 91355  
PHONE (661) 294-0778 (800) EPSINFO (377-4636) FAX (661) 294-0674  
[www.epsinfo.com](http://www.epsinfo.com)



**ENGINEERED PARKING SYSTEMS**

25010 AVENUE TIBBITTS, VALENCIA, CA 91355  
 PHONE (661) 294-0778 (800) EPSINFO (377-4636) FAX (661) 294-0674  
[www.epsinfo.com](http://www.epsinfo.com)